



2005/2006 - Electric Rotisserie for Precast BBQ



Dimensions

2005

Width: 27.5"
 Depth: 23"
 Height: 12.5"

2006

Width: 32"
 Depth: 23"
 Height: 12.5"

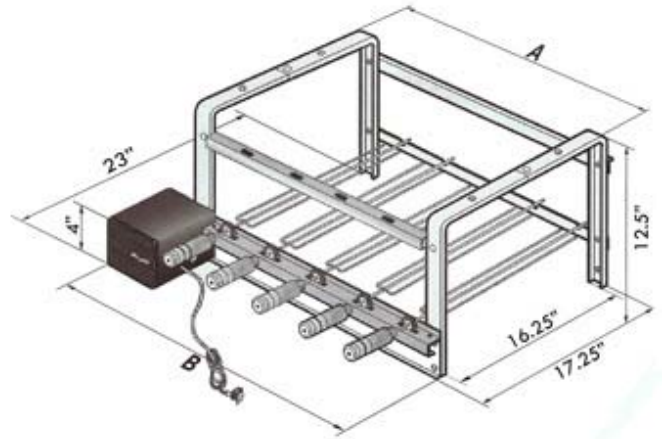


Table of Measurement			
Measurements in inches			# of Skewers
Model	A	B	
2005	25	27.5	5
2006	29.5	32	6



- Constructed of 304 stainless steel
- 120V electric motor
- Includes a set of skewers
- Fits our California and Texan BBQs
- Four slots for manually rotating skewers
- Easy to assemble 6 piece kit
- Can be placed over an existing BBQ pit